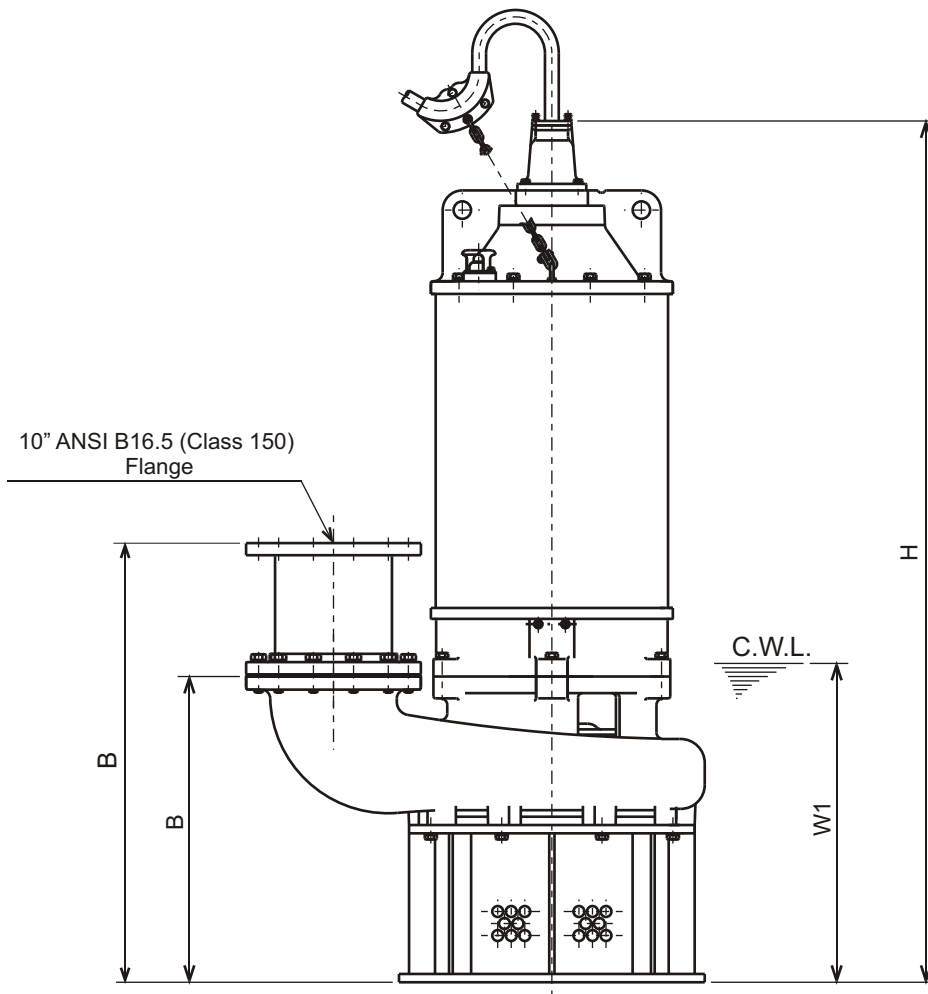
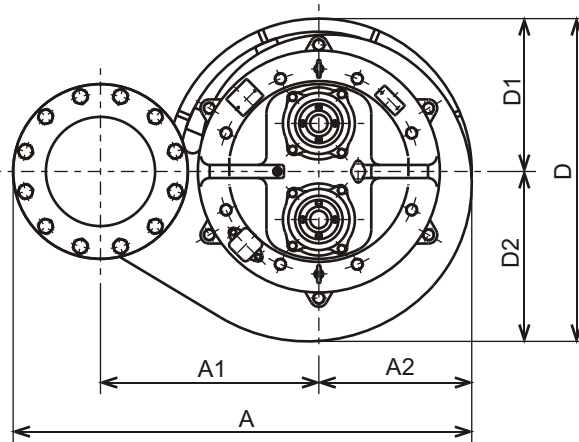




**GSZ-4 SERIES**  
HIGH VOLUME - DEWATERING PUMPS

**DIMENSIONS**

**GSZ2-75-4L**



C.W.L. : Continuous running Water Level

**DIMENSIONS:USCS (In ch)**

Model	HP	NOM. SIZE	Pump & Motor									C.W.L. W1	*Wt. (lbs.)
			A	A1	A2	B	B1	D	D1	D2	H		
GSZ2-75L-4	100	10"	41 5/16	19 11/16	13 3/4	39 9/16	27 9/16	29 1/8	13 3/4	15 5/16	77 5/8	28 3/4	2730

**DIMENSIONS:METRIC (mm)**

Model	kW	NOM. SIZE	Pump & Motor									C.W.L. W1	*Wt. (kg)
			A	A1	A2	B	B1	D	D1	D2	H		
GSZ2-75L-4	75	250	1050	500	350	1005	700	739	350	389	1972	730	1238

\*Excluding Cable