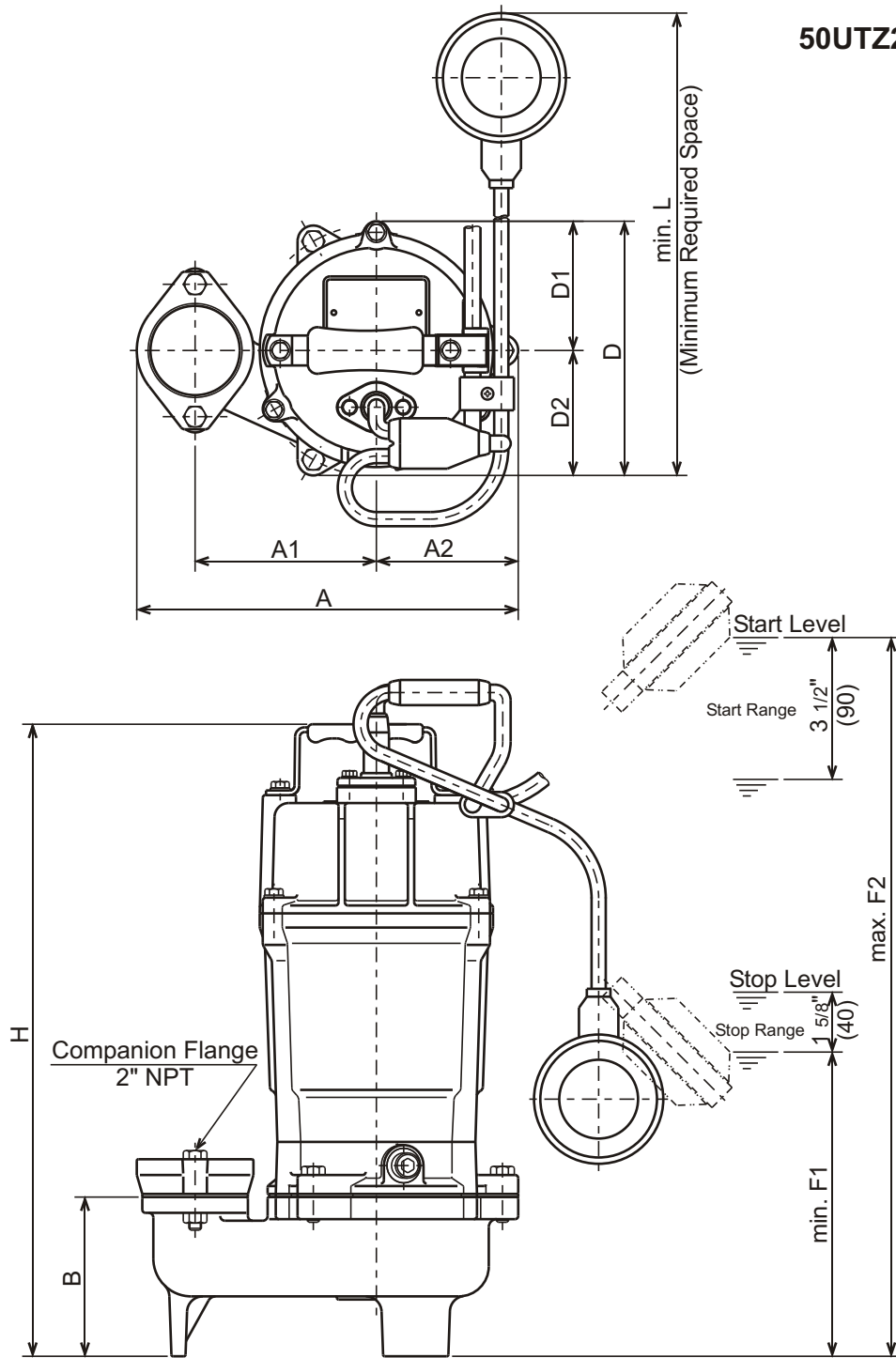




UT - SERIES
SUBMERSIBLE SEMI-VORTEX-SEWAGE PUMPS

DIMENSIONS

50UTZ2.75S-61



DIMENSIONS:USCS (Inch)

Model	HP	NOM. SIZE	Pump & Motor							Space min. L	Stop min. F1	Start max. F2	Wt. (lbs.)	
			A	A1	A2	B	D	D1	D2					
50UTZ2.75S-61	1	2"	9 1/2	4 1/2	3 9/16	4	6 3/8	3 1/4	3 1/8	15 13/16	11 5/8	7 5/8	18	37

DIMENSIONS:METRIC (m m)

Model	kW	NOM. SIZE	Pump & Motor							Space min. L	Stop min. F1	Start max. F2	Wt. (kg)	
			A	A1	A2	B	D	D1	D2					
50UTZ2.75S-61	0.75	50	242	115	90	101	161	82	79	401	293	193	456	17.0