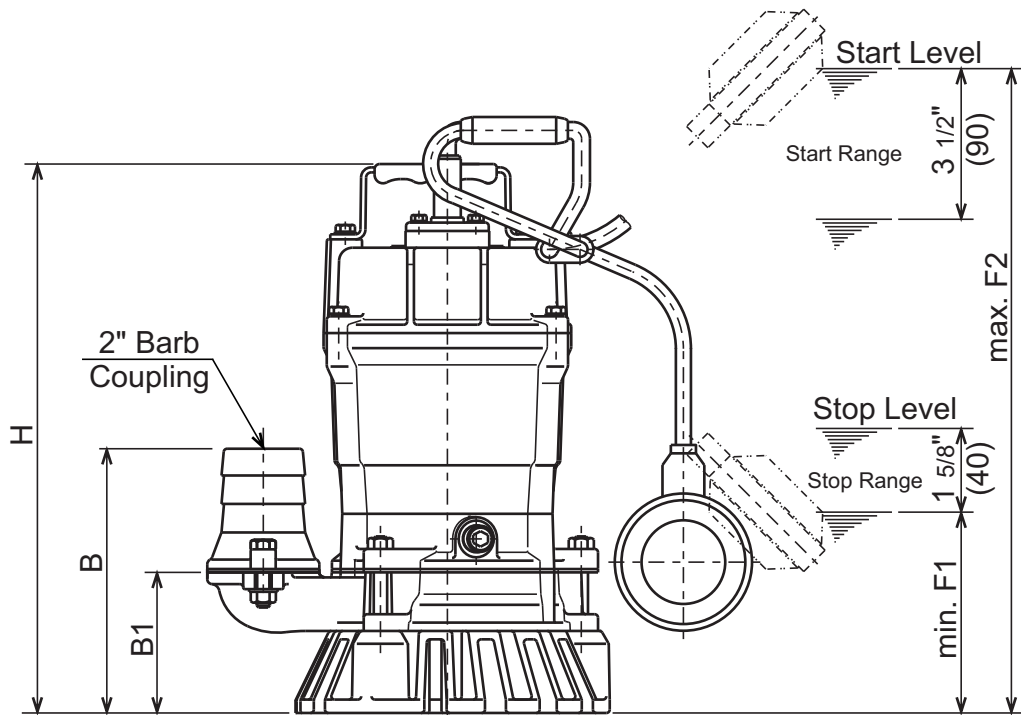
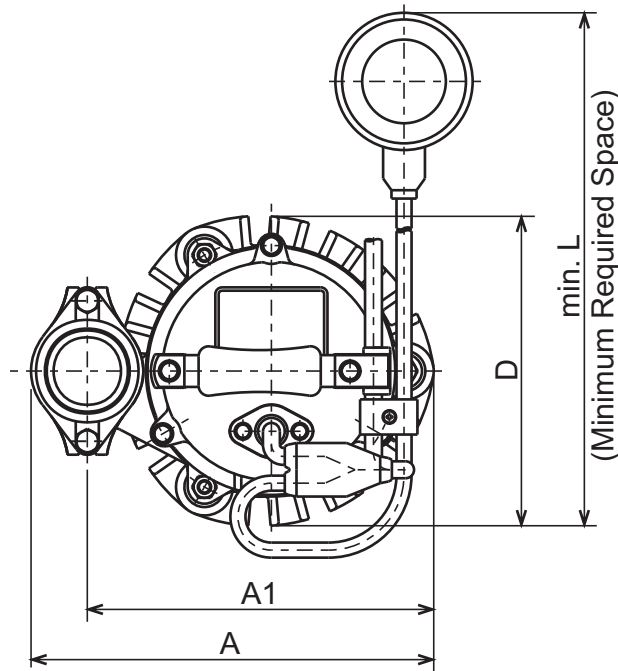




HS - SERIES
SEMI-VORTEX - WASTEWATER PUMP (AUTO-TYPE)

DIMENSIONS

HSZ2.4S-62



DIMENSIONS:USCS (Inch)

Model	HP	NOM. SIZE	Pump & Motor						Space min. L	Stop min. F1	Start max. F2	*Wt. (lbs.)
			A	A1	B	B1	D	H				
HSZ2.4S-62	1/2	2"	9 1/2	8 1/8	6 1/4	3 5/16	7 5/16	12 15/16	13 1/2	4 3/4	15 1/8	25

DIMENSIONS:METRIC (mm)

*Excluding Cable

Model	kW	NOM. SIZE	Pump & Motor						Space min. L	Stop min. F1	Start max. F2	*Wt. (kg)
			A	A1	B	B1	D	H				
HSZ2.4S-62	0.40	50	241	207	158	84	185	328	340	120	385	11.3