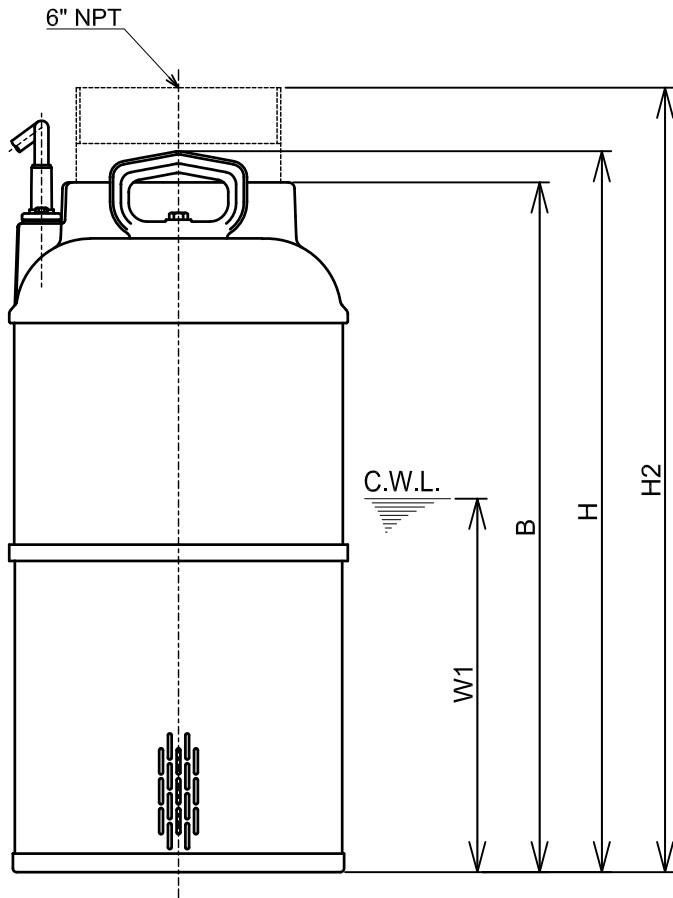
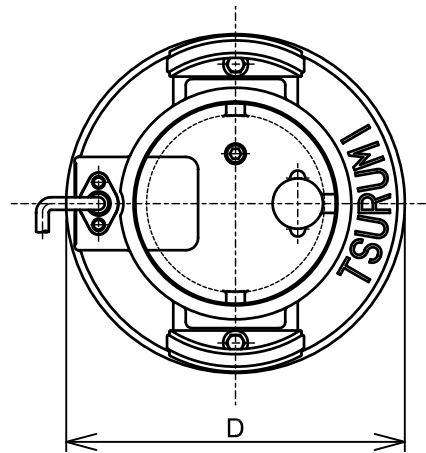


150AB41.5-61



C.W.L. : Continuous running Water Level

DIMENSIONS:USCS (Inch)

Model	HP	NOM. SIZE	Pump & Motor				C.W.L.	*Wt.
			D	B	H	H2	W1	(lbs.)
150AB41.5-61	2	6"	10 11/16	21 13/16	22 13/16	24 13/16	11 3/4	97

DIMENSIONS:METRIC (mm)

*Excluding Cable

Model	kW	NOM. SIZE	Pump & Motor				C.W.L.	*Wt.
			D	B	H	H2	W1	(kg)
150AB41.5-61	1.5	150	272	554	579	630	300	44