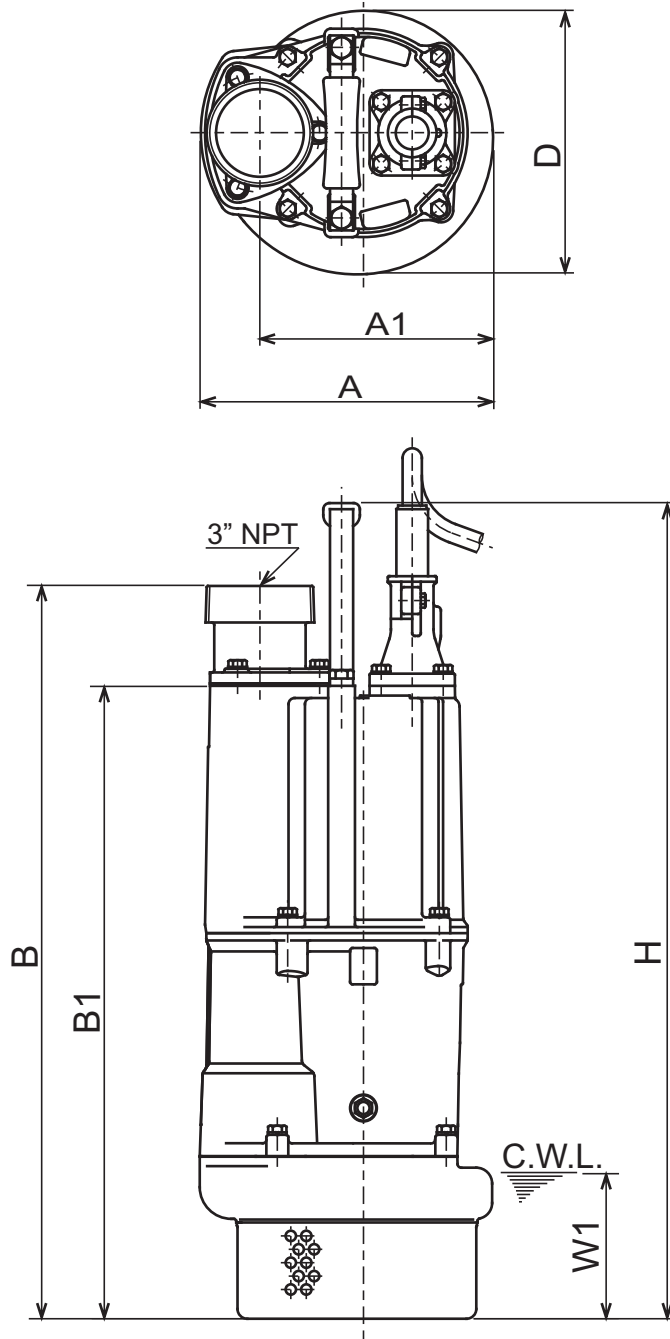




NK - SERIES
SEMI-VORTEX - DEWATERING PUMPS

DIMENSIONS

NK3-22L



C.W.L. : Continuous running Water Level

DIMENSIONS:USCS (Inch)

Model	HP	NOM. SIZE	Pump & Motor						C.W.L.	*Wt.
			A	A1	B	B1	D	H	W1	(lbs.)
NK3-22L	3	3"	9 1/4	7 1/2	23 5/8	20 3/8	8 1/2	26 1/2	4 3/4	73

* Excluding Cable

DIMENSIONS:METRIC (mm)

Model	kW	NOM. SIZE	Pump & Motor						C.W.L.	*Wt.
			A	A1	B	B1	D	H	W1	(kg)
NK3-22L	2.2	80	235	192	601	519	216	669	120	33.0