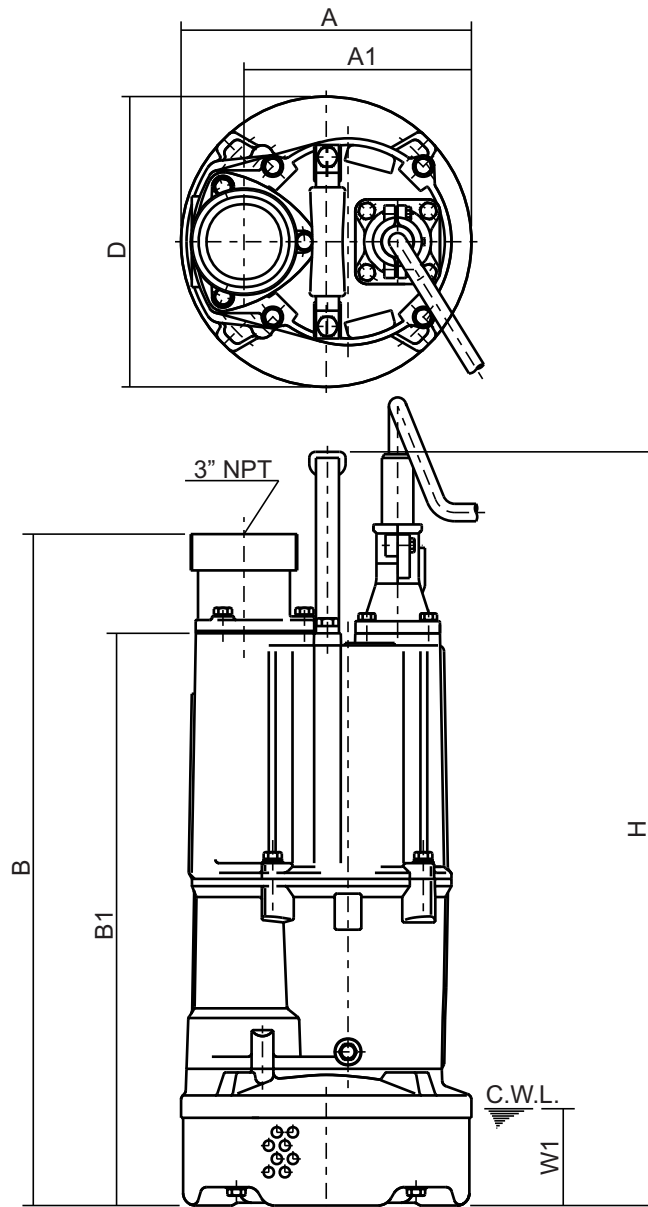




NK - SERIES
SEMI-VORTEX - DEWATERING PUMPS

DIMENSIONS

NK2-15



C.W.L. : Continuous running Water Level

DIMENSIONS:USCS (Inch)

| Model | HP | NOM. SIZE | Pump & Motor | | | | | | C.W.L. | *Wt. |
|--------|----|-----------|--------------|-------|--------|--------|--------|--------|--------|--------|
| | | | A | A1 | B | B1 | D | H | W1 | (lbs.) |
| NK2-15 | 2 | 3" | 9 7/16 | 7 3/8 | 21 7/8 | 18 5/8 | 9 7/16 | 24 1/2 | 3 1/4 | 63.5 |

DIMENSIONS:METRIC (mm)

* Excluding Cable

| Model | kW | NOM. SIZE | Pump & Motor | | | | | | C.W.L. | *Wt. |
|--------|-----|-----------|--------------|-----|-----|-----|-----|-----|--------|------|
| | | | A | A1 | B | B1 | D | H | W1 | (kg) |
| NK2-15 | 1.5 | 80 | 240 | 188 | 555 | 473 | 240 | 623 | 80 | 28.8 |