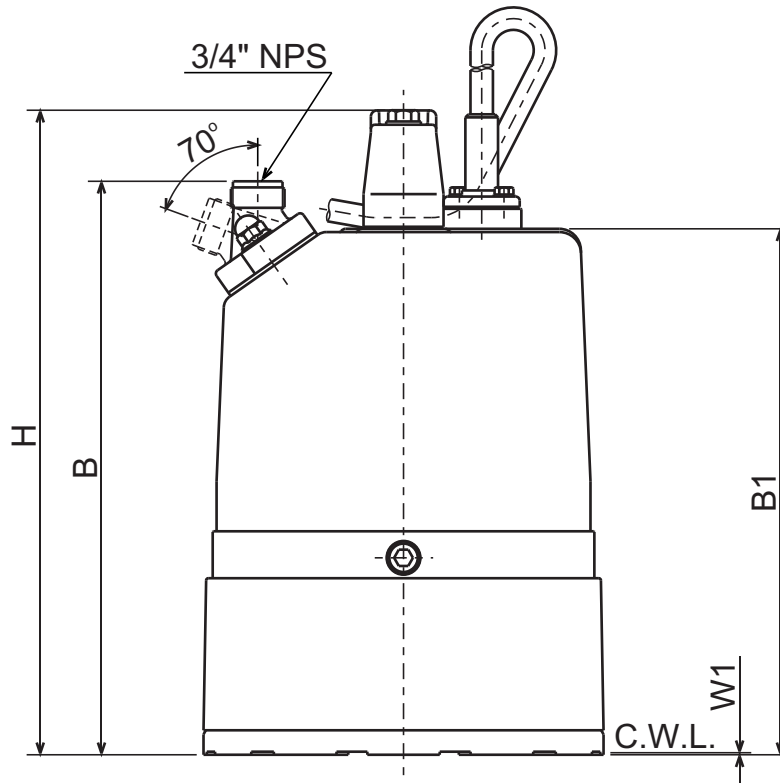
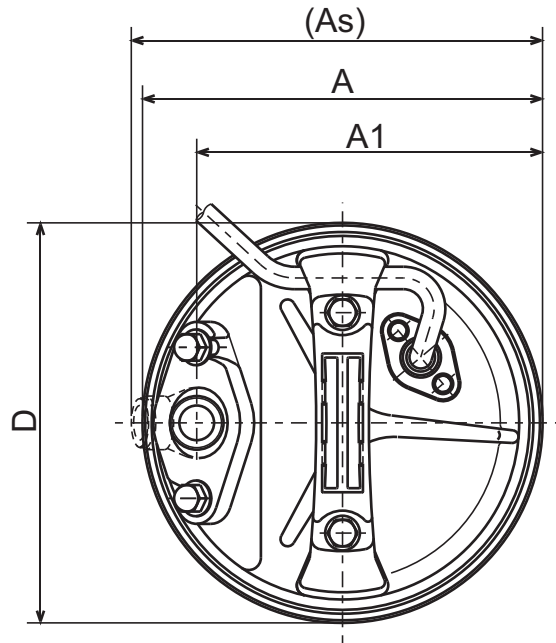




LSC - SERIES
RESIDUAL WATER - DEWATERING PUMP

DIMENSIONS

LSC1.4S-61



C.W.L. : Continuous running Water Level

DIMENSIONS:USCS (Inch)

Model	HP	NOM. SIZE	Pump & Motor							C.W.L.	Wt. (lbs.)
			A	As	A1	B	B1	D	H	W1	
LSC1.4S-61	2/3	3/4"	7 11/16	7 15/16	6 11/16	11 1/16	10 1/8	7 11/16	12 7/16	0.04	26

DIMENSIONS:METRIC (mm)

Model	kW	NOM. SIZE	Pump & Motor							C.W.L.	Wt. (kg)
			A	As	A1	B	B1	D	H	W1	
LSC1.4S-61	0.48	19	196	202	169	281	258	196	316	1	12.0