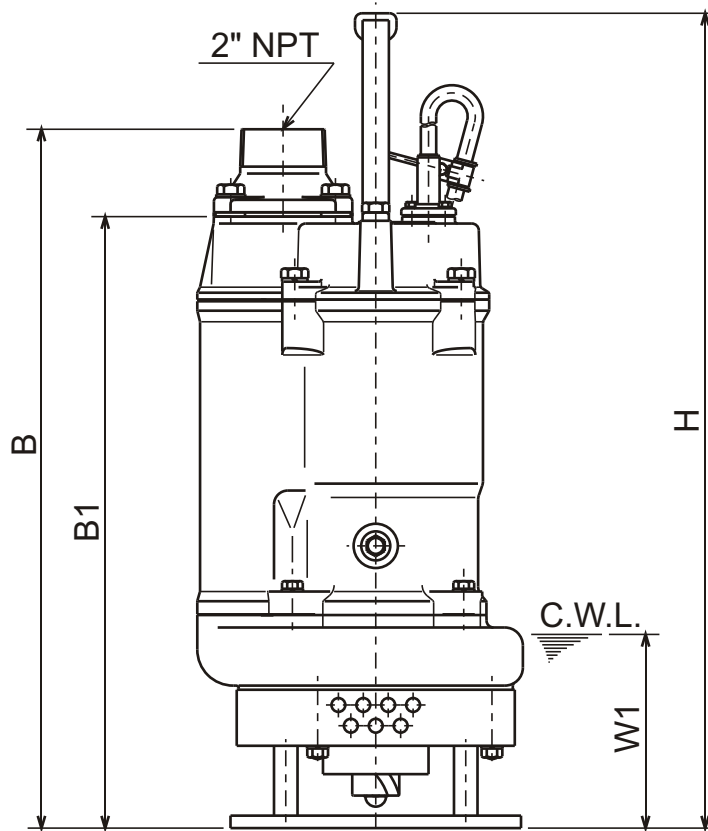
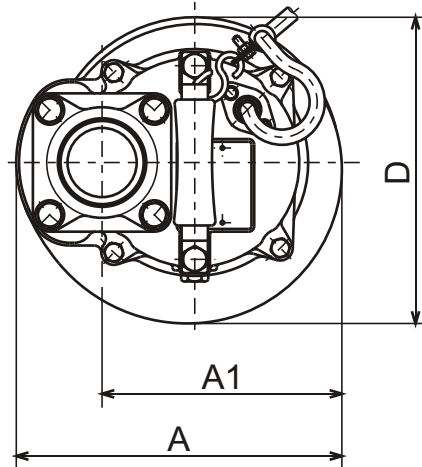




KTD - SERIES
SUBMERSIBLE AGITATOR PUMPS

DIMENSIONS

KTD22.0-61



C.W.L. : Continuous running Water Level

DIMENSIONS:USCS (Inch)

Model	HP	NOM. SIZE	Pump & Motor						C.W.L.	*Wt.
			A	A1	B	B1	D	H	W1	(lbs.)
KTD22.0-61	2.7	2"	9 1/4	6 13/16	19 7/8	17 3/8	8 11/16	23 3/16	5 1/2	86

DIMENSIONS:METRIC (mm)

*Excluding Cable

Model	kW	NOM. SIZE	Pump & Motor						C.W.L.	*Wt.
			A	A1	B	B1	D	H	W1	(kg)
KTD22.0-61	2.0	50	235	173	505	442	221	589	140	39