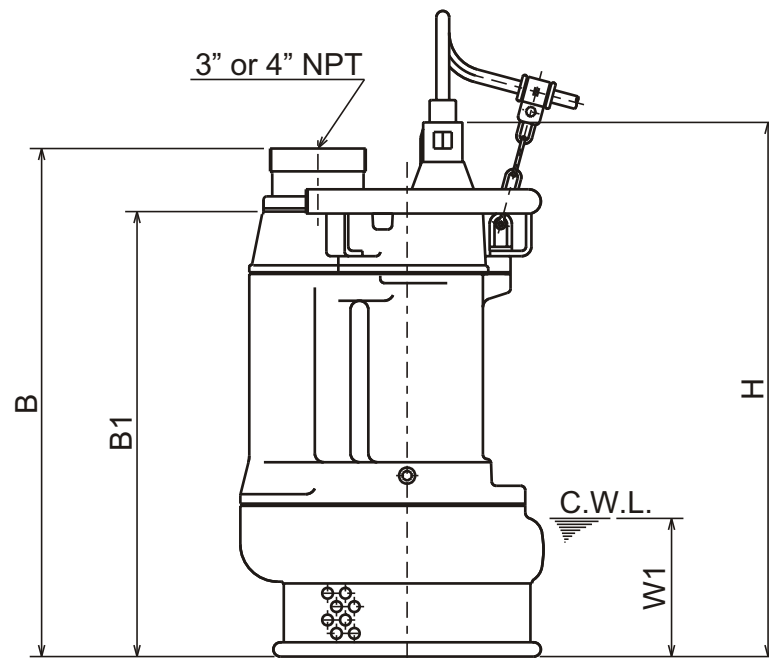


KRS2-A3
 KRS2-B3
 KRS2-A4
 KRS2-B4



C.W.L. : Continuous running Water Level

DIMENSIONS:USCS (Inch)

Model	HP	NOM. SIZE	Pump & Motor						C.W.L.	Wt. (lbs.)
			A	A1	B	B1	D	H	W1	
KRS2-A3	3	3"	13 3/8	10 1/16	22 1/16	19 5/8	12 3/8	23 5/8	5 3/4	159
KRS2-B3	5	3"	13 3/4	10 1/4	25 3/8	23	12 5/8	26 15/16	6 1/8	196
KRS2-A4	5	4"	13 3/4	10 1/4	26 3/8	23	12 5/8	26 15/16	6 1/8	194
KRS2-B4	7.5	4"	13 3/4	10 1/4	26	22 5/8	12 5/8	26 9/16	6 1/8	209

DIMENSIONS:METRIC (mm)

Model	kW	NOM. SIZE	Pump & Motor						C.W.L.	Wt. (kg)
			A	A1	B	B1	D	H	W1	
KRS2-A3	2.2	80	340	255	560	499	315	600	145	72
KRS2-B3	3.7	80	350	260	645	584	320	685	155	89
KRS2-A4	3.7	100	350	260	670	584	320	685	155	88
KRS2-B4	5.5	100	350	260	660	574	320	675	155	95