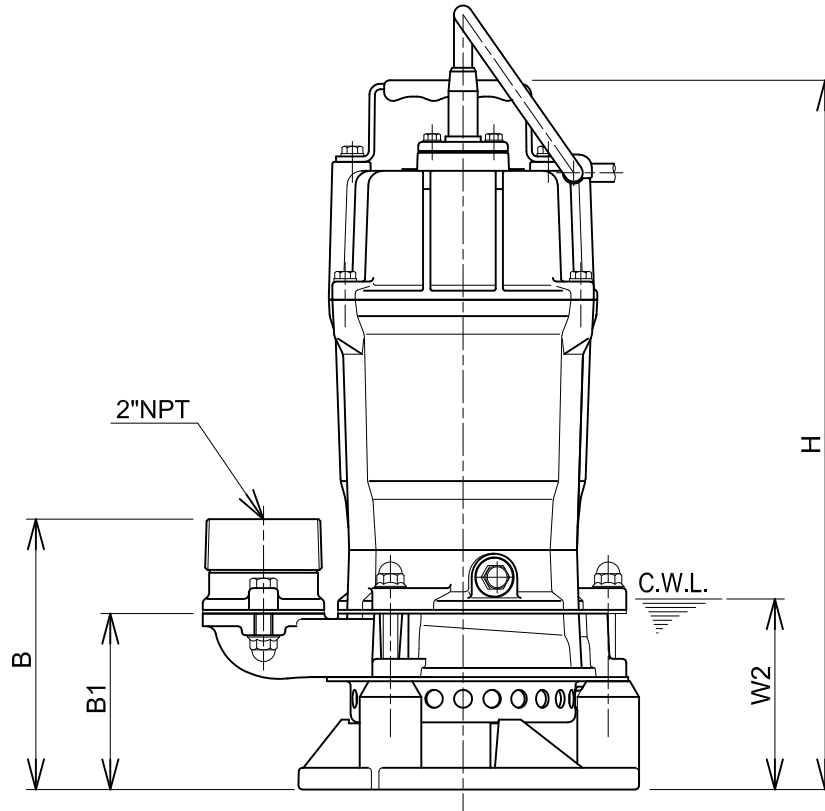
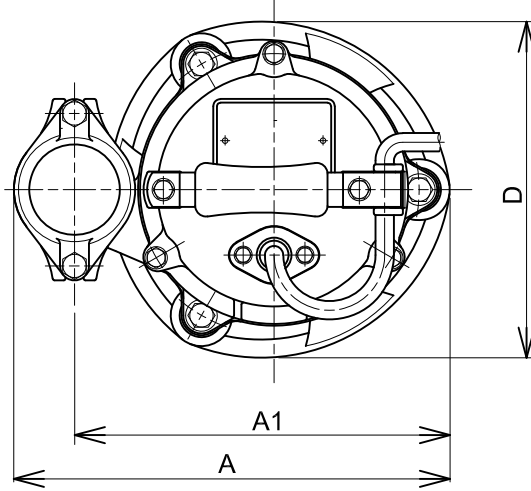


HSD2.55S-63



C.W.L. :Continuous running Water Level

DIMENSIONS:USCS (Inch)

Model	HP	NOM. SIZE	Pump & Motor						C.W.L. W1	Wt. (lbs.)
			A	A1	B	B1	D	H		
HSD2.55S-63	3/4	2"	9 1/2	8 1/8	5 13/16	3 13/16	7 5/16	15 3/8	4 1/8	31

DIMENSIONS:METRIC (mm)

*Excluding Cable

Model	kW	NOM. SIZE	Pump & Motor						C.W.L. W1	Wt. (kg)
			A	A1	B	B1	D	H		
HSD2.55S-63	0.55	50	241	207	147	97	186	391	105	14.0