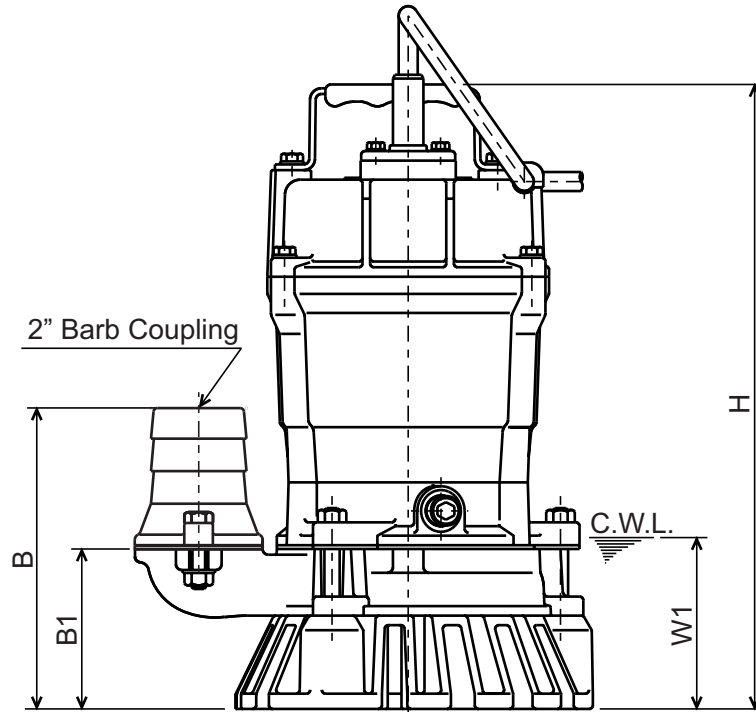
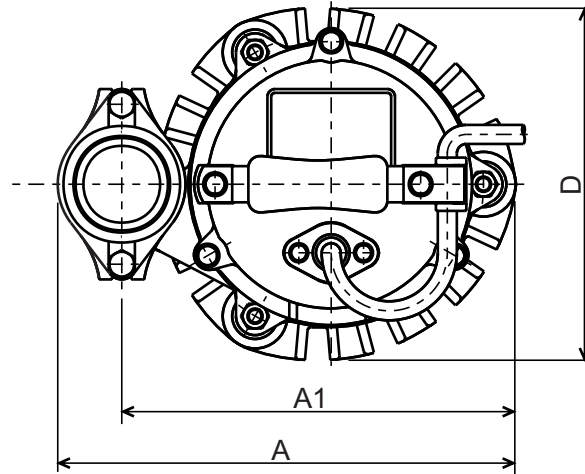




HS - SERIES
SEMI-VORTEX - WASTEWATER PUMP

DIMENSIONS

HS2.4S-62



C.W.L. : Continuous running Water Level

DIMENSIONS:USCS (Inch)

Model	HP	NOM. SIZE	Pump & Motor						C.W.L.	*Wt.
			A	A1	B	B1	D	H	W1	(lbs.)
HS2.4S-62	1/2	2"	9 1/2	8 1/8	6 1/4	3 5/16	7 5/16	12 15/16	3 1/2	25

DIMENSIONS:METRIC (mm)

Model	kW	NOM. SIZE	Pump & Motor						C.W.L.	*Wt.
			A	A1	B	B1	D	H	W1	(kg)
HS2.4S-62	0.40	50	241	207	158	84	185	328	90	11.3

*Excluding Cable